

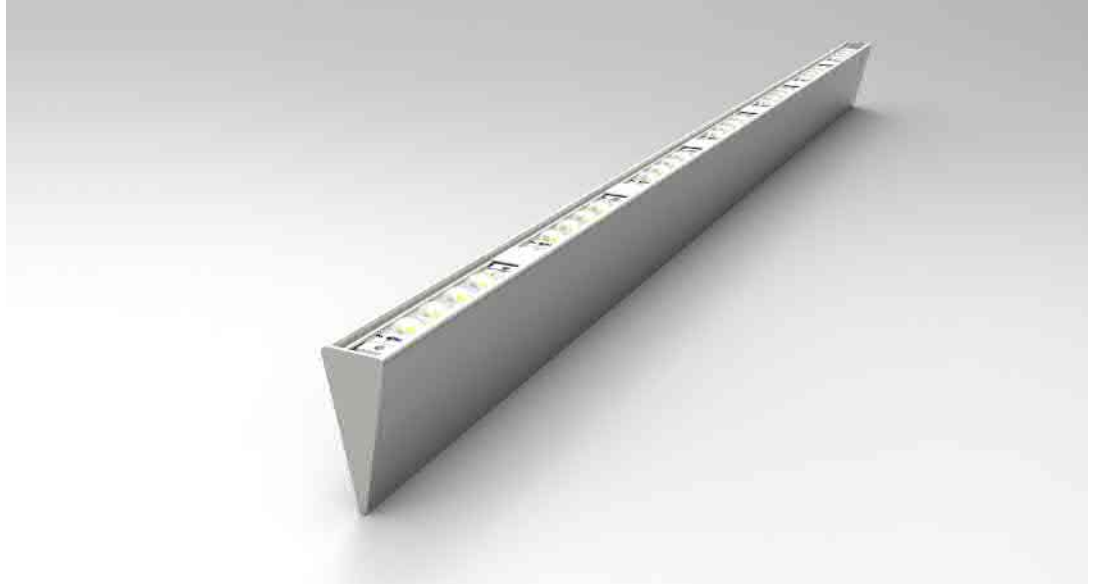
We design, build and deliver incredible

# Ceilingwash

## Specifications

Flèche S ceiling wash

### Photos



### Applications



Lobby



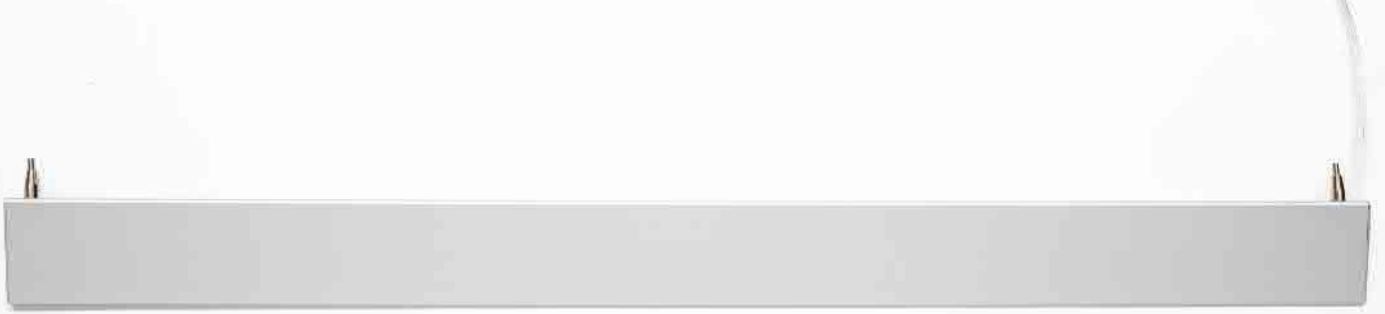
Corridors



Hospitality



Fitness center



Comparison



**LED Strip**:2000lm/meter.17.9w/m.View angle:120degree.  
Ra>80.3000K



**Flèche** :1982lm/meter.16.8w/m.View angle:160degree.  
Ra>93.3000K

Note:Office dimension:L8m\*W5m\*H2.8m Distance from ceiling \*0.5m



**LED Strip**:2000lm/meter.17.9w/m.View angle:120degree.  
Ra>80.3000K



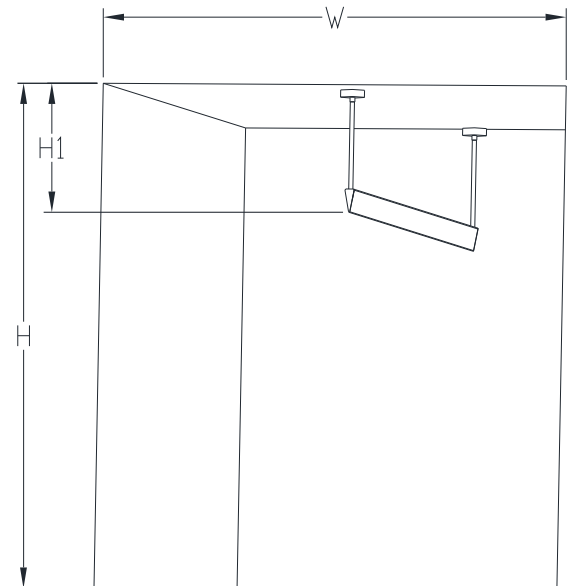
**Flèche** :1982lm/meter.16.8w/m.View angle:160degree.  
Ra>95.3000K

Note:Corridor dimension:L11m\*W2m\*H3m Distance from ceiling \*0.3m

**Features**

- Modern, unobtrusive, slim, stylish, elegant design enhance the interior architecture.
- outstanding uniformity
- Optimal visual comfort
- Create a high and spacious impression of the room space
- Ultra compact housing made of extruded aluminium with integrated driver
- Stand-alone and continuous lines up to Max 30 meters
- Easy installation with push-in connectors and through wiring and wall mounted
- Replaceable LED module with optic
- Invisibly screw-fitted plastic end pieces painted in luminaire colour in silver
- No Cove and No ceiling

**Space dimensions and illumination distributions**



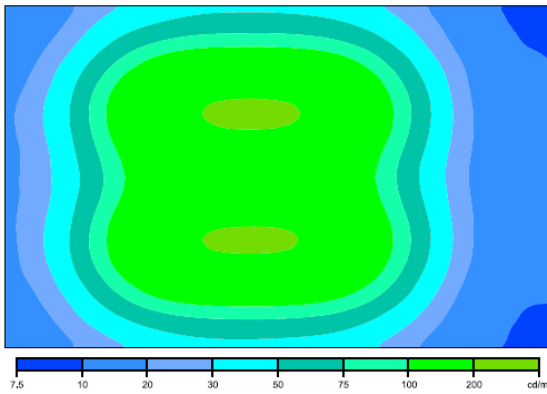
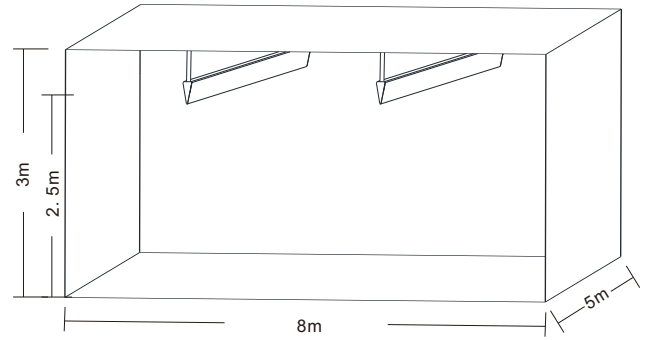
Distance to ground: 2.080 m to 2.400 m, Reflection rate: Ceiling 70.0%, Wall 50.0%, Ground 20.0%, Maintenance factor: 0.80

| H (m) | H1 (m) | W (m) | Ground illuminance (lux) | Ground uniformity | Ceiling illuminance (lux) | Ceiling uniformity |
|-------|--------|-------|--------------------------|-------------------|---------------------------|--------------------|
| 2.8   | 0.3    | 0.8   | 235                      | 0.63              | 1567                      | 0.63               |
| 2.8   | 0.3    | 1.6   | 265                      | 0.60              | 1023                      | 0.29               |
| 2.8   | 0.3    | 2.0   | 259                      | 0.60              | 842                       | 0.21               |
| 2.8   | 0.5    | 0.8   | 198                      | 0.61              | 1168                      | 0.68               |
| 2.8   | 0.5    | 1.6   | 239                      | 0.62              | 853                       | 0.53               |
| 2.8   | 0.5    | 2.0   | 240                      | 0.60              | 742                       | 0.46               |

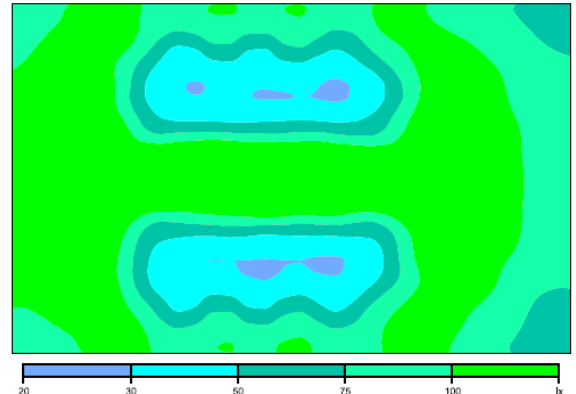
# Specifications

## Flèche S ceiling wash

### Space dimensions and illumination distributions

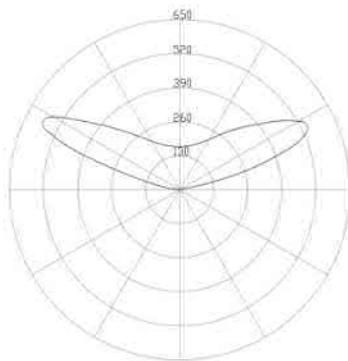


Ceiling false colors



Ground false colors

### Lighting Distribution



|     |                 |           |
|-----|-----------------|-----------|
| 1m  | 20.96, 1.64.21x | 943.63cm  |
| 2m  | 5.239, 41.051x  | 1827.26cm |
| 3m  | 2.328, 18.241x  | 2690.89cm |
| 4m  | 1.310, 10.261x  | 3654.52cm |
| 5m  | 0.8382, 6.5671x | 4618.16cm |
| 6m  | 0.5821, 4.5611x | 5781.79cm |
| 7m  | 0.4277, 3.3811x | 6745.42cm |
| 8m  | 0.3274, 2.5651x | 7709.05cm |
| 9m  | 0.2587, 2.0271x | 8672.68cm |
| 10m | 0.2096, 1.6421x | 9636.31cm |

# Specifications

## Flèche S ceiling wash

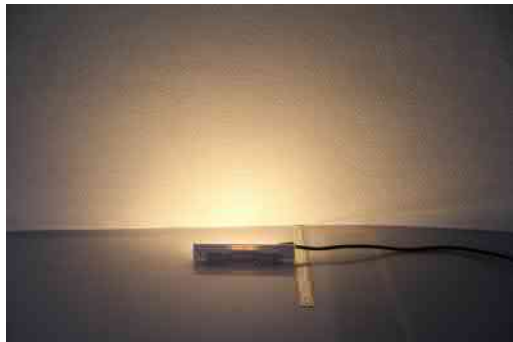
Distance from wall



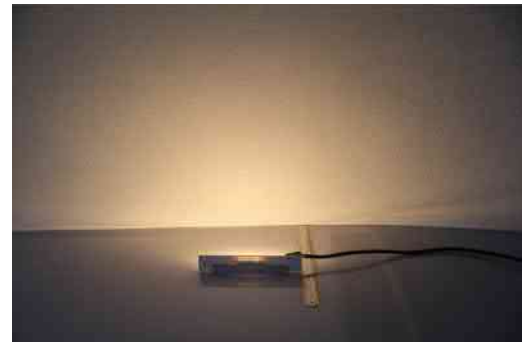
50mm



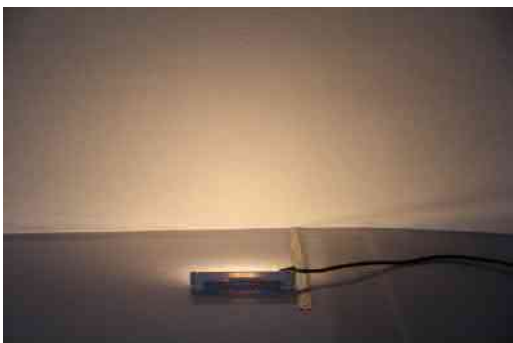
100mm



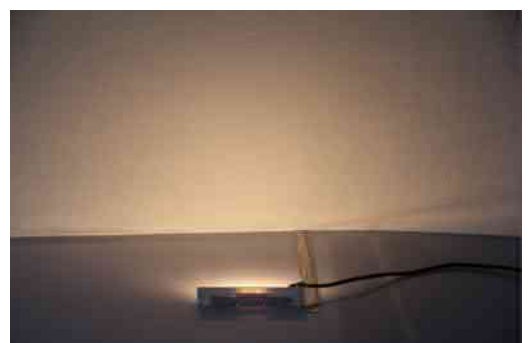
150mm



200mm



250mm



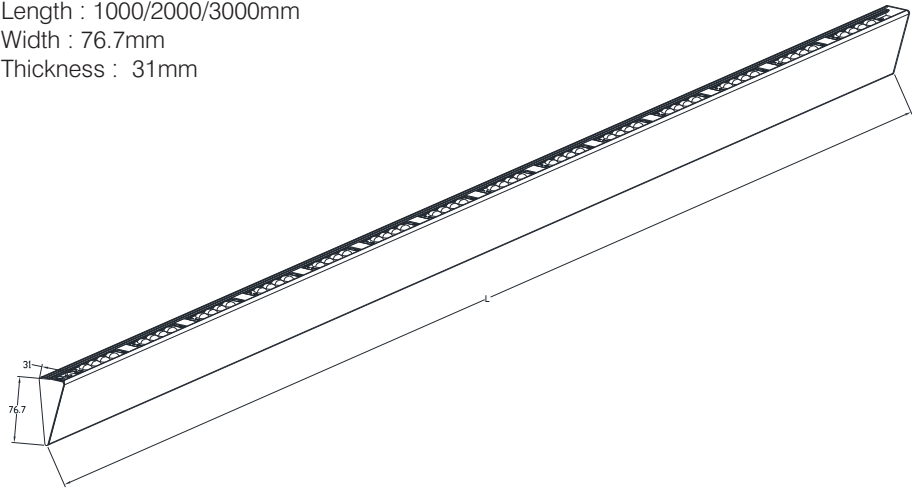
300mm

# Specifications

## Flèche S ceiling wash

### Dimensions

Length : 1000/2000/3000mm  
 Width : 76.7mm  
 Thickness : 31mm



### Electrical Characteristics

| Part No            | FCS100                    | FCS200 | FCS300 |
|--------------------|---------------------------|--------|--------|
| Voltage Range(V)   | AC220V                    |        |        |
| Reverse Voltage(V) | 24V                       |        |        |
| Power /pc (W)      | 16.8                      | 33.6   | 50.4   |
| Max Run Length(m)  | 1                         | 2      | 3      |
| Technology         | Integrated current source |        |        |

### Optical Characteristics

|                  |   |      |      |
|------------------|---|------|------|
| Lumen/unit       | 1988                                      | 3976 | 5964 |
| Efficiency(lm/w) | 118                                       |      |      |
| Beam Angle       | 160 degree                                |      |      |
| CRI              | 90  |      |      |
| MacAdam ellipse  | 3SDCM                                     |      |      |
| Ra               | 93  |      |      |
| R9               | 50  |      |      |
| Available Colors | 2000k/2700K/3000K/3500K/4000K/5000K/6500K |      |      |

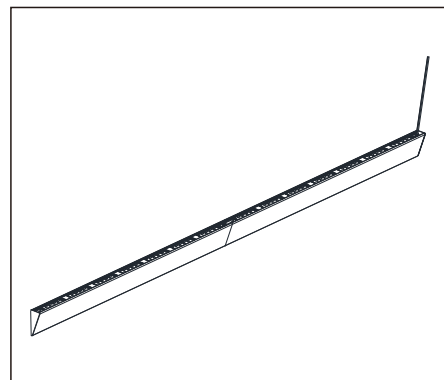
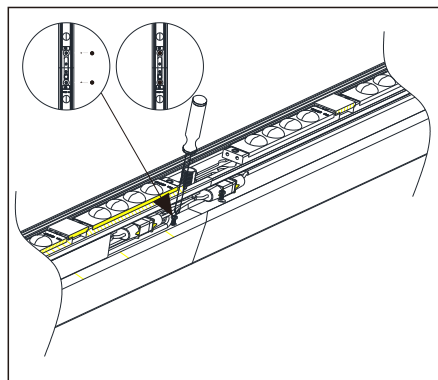
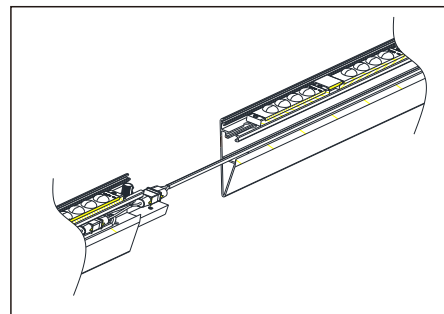
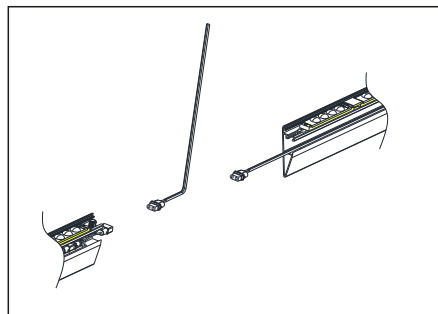
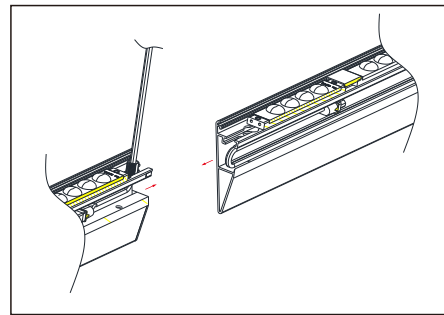
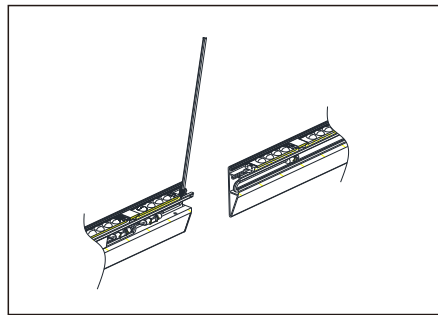
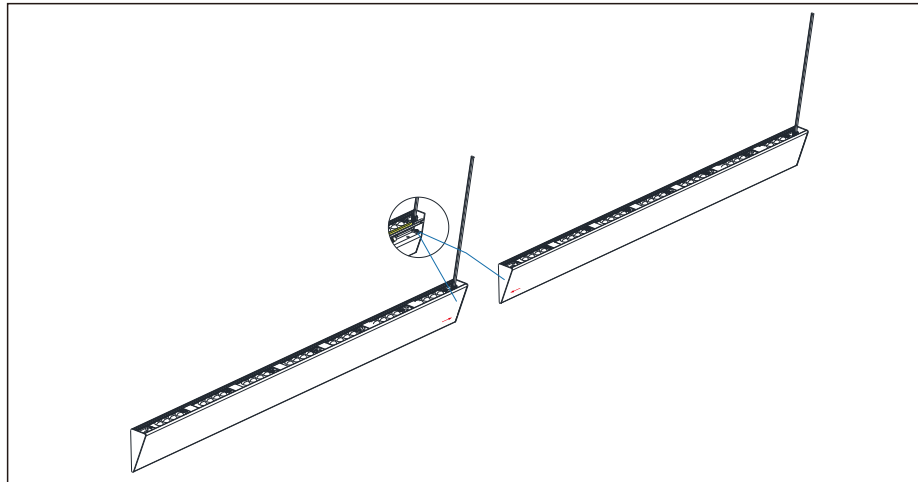
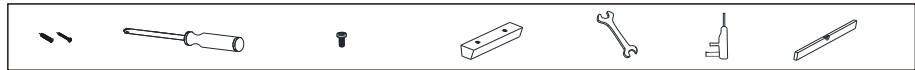
### Construction

|                        |  |      |      |
|------------------------|--|------|------|
| Body                   | Aluminum Profile/PC lens/Aluminum pcb/PVC base/3M VHB Tape |      |      |
| Max distance in series | 30   |      |      |
| Weigh/pcs(g)           | 1200   | 2400 | 3594 |

### Dependability

|                  |                                  |  |  |
|------------------|----------------------------------|--|--|
| Warranty         | 3 years                          |  |  |
| IP               | 54                               |  |  |
| Flame Resistance | UL94                             |  |  |
| UV Exposure      | ASTMG 154, ISO 4892-3, UVA@340nm |  |  |

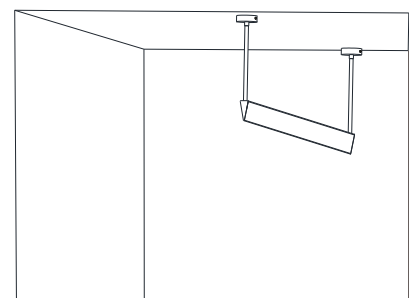
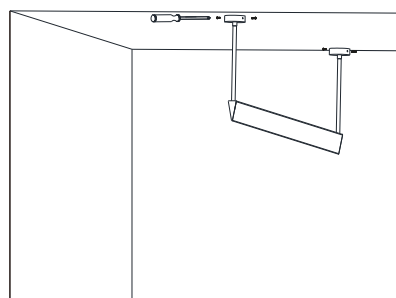
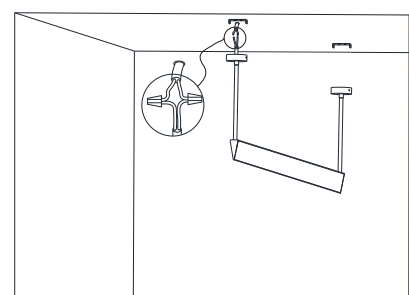
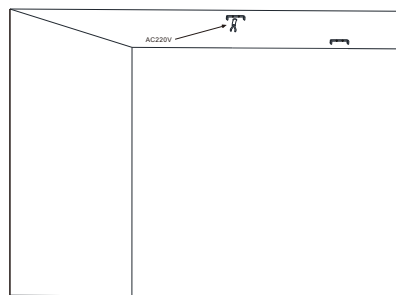
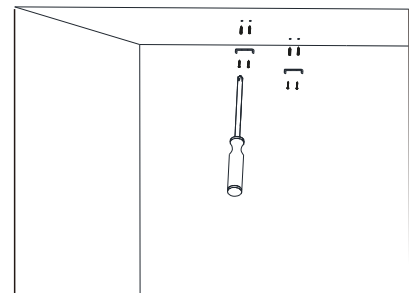
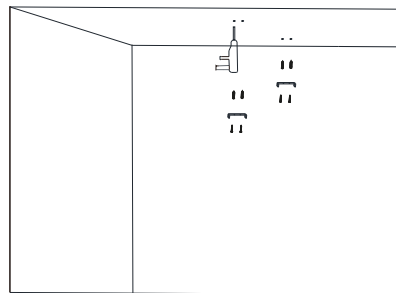
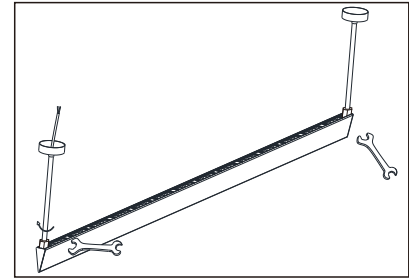
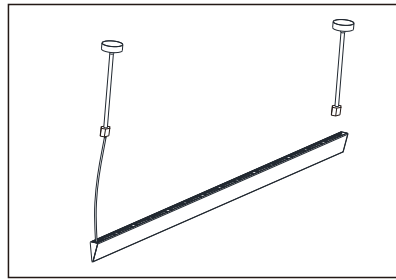
### Installation





# Specifications

## Flèche S ceiling wash



### Standards&Certificates

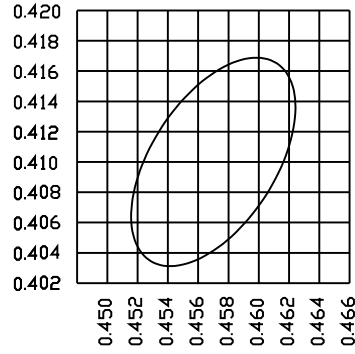
|                                     |  |
|-------------------------------------|--|
| Integrating Sphere Test             | IES LM79 (lumen,CCT,CRI,XY,SDCM,wave length)               |
| Photometric Distribution Test       | IES LM79   |
| Aging Test                          | IES LM84&IES TM28  |
| Ambient Temperature Test            | UL1598&UL2388&IEC60598-1&IEC60598-2-21                     |
| High temperature High Humidity Test | UL1598&UL2388&IEC60598-1&IEC60598-2-21                     |
| Bending Test                        | 500 cycles   |
| Vibration Test                      | UL2388>750cycles   |
| Tensile Test                        | Defined by Manufacturer                                    |
| Drop Test                           | UL1598&UL2388&IEC60598-1&IEC60598-2-21                     |
| IK Test                             | IEC62262   |
| Fire-Rating Test                    | UI94   |
| UV Test                             | ASTMG154,ISO4892-3,UVA@340nm IEC60529                      |
| Salt Spray Test                     | IEC68-2-11   |
| Thermal Shock Test                  | Non-lighting -40°C-55°C ( 25mins ) with 5mins , 100 cycles |
| High temperature test               | 55°C   |

### Bining

ANSI C78.377

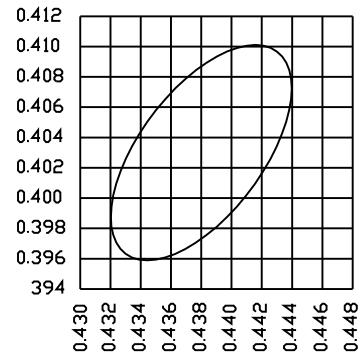
BIN:27A

| Centred<br>x | Centred<br>y | Nominal<br>CCT (K) | CCT<br>Range(K) | MacAdam<br>ellipse |
|--------------|--------------|--------------------|-----------------|--------------------|
| 0.4578       | 0.4101       | 2700               | 2660-2790       | 3SDCM              |



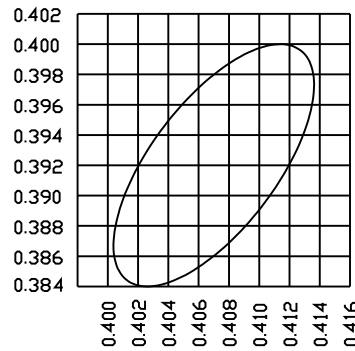
BIN:30A

| Centred<br>x | Centred<br>y | Nominal<br>CCT (K) | CCT<br>Range(K) | MacAdam<br>ellipse |
|--------------|--------------|--------------------|-----------------|--------------------|
| 0.4338       | 0.403        | 3000               | 2865-2940       | 3SDCM              |



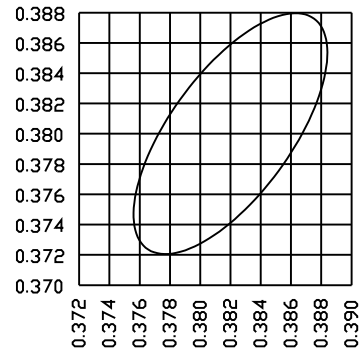
BIN:35A

| Centred<br>x | Centred<br>y | Nominal<br>CCT (K) | CCT<br>Range(K) | MacAdam<br>ellipse |
|--------------|--------------|--------------------|-----------------|--------------------|
| 0.4073       | 0.3917       | 3500               | 3350-3550       | 3SDCM              |



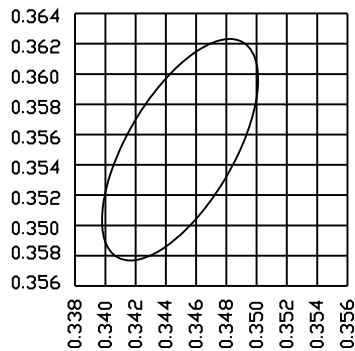
BIN:40A

| Centred<br>x | Centred<br>y | Nominal<br>CCT (K) | CCT<br>Range(K) | MacAdam<br>ellipse |
|--------------|--------------|--------------------|-----------------|--------------------|
| 0.3818       | 0.3797       | 4000               | 3900-4175       | 3SDCM              |



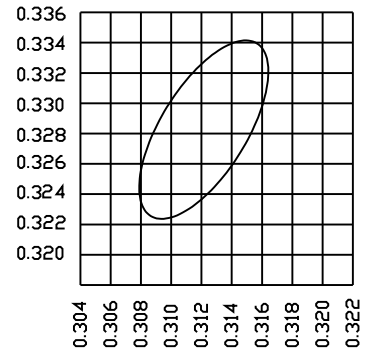
BIN:50A

| Centred<br>x | Centred<br>y | Nominal<br>CCT (K) | CCT<br>Range(K) | MacAdam<br>ellipse |
|--------------|--------------|--------------------|-----------------|--------------------|
| 0.3447       | 0.3553       | 5000               | 4815-5175       | 3SDCM              |

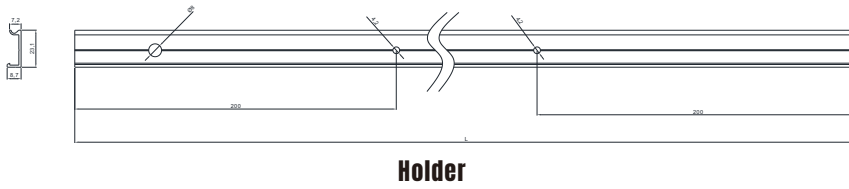


BIN:65A

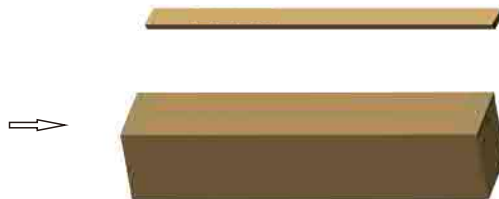
| Centred<br>x | Centred<br>y | Nominal<br>CCT (K) | CCT<br>Range(K) | MacAdam<br>ellipse |
|--------------|--------------|--------------------|-----------------|--------------------|
| 0.3123       | 0.3282       | 6500               | 6200-6700       | 3SDCM              |



**Accessories**



**Packaging**



|            | Qty of LED module | Qty of Chain | Dimension (mm) | Net weight(kg) | Gross Weight(kg) |
|------------|-------------------|--------------|----------------|----------------|------------------|
| Inner Box  | 30pcs ( 6 meters) | 1            | 1050*85*45     | 1.5            | 1.6              |
| Master Box | 300pcs( 60meters) | 10           | 1070*245*190   | 15             | 16.5             |